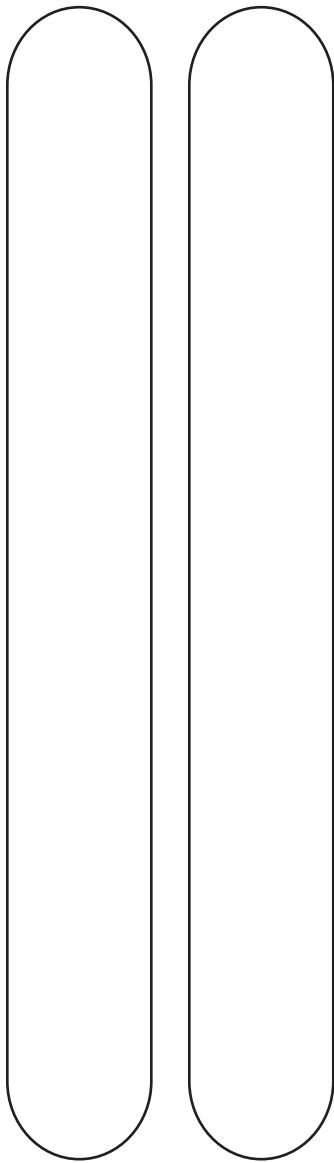


# STOCKADE 2047 - Catapult Craft

sheet 1 of 3

Jim Szczodrowski - PO Box 504 - Orchard Park, NY 14127 - 662-0335 - jim@2047.org - www.2047.org

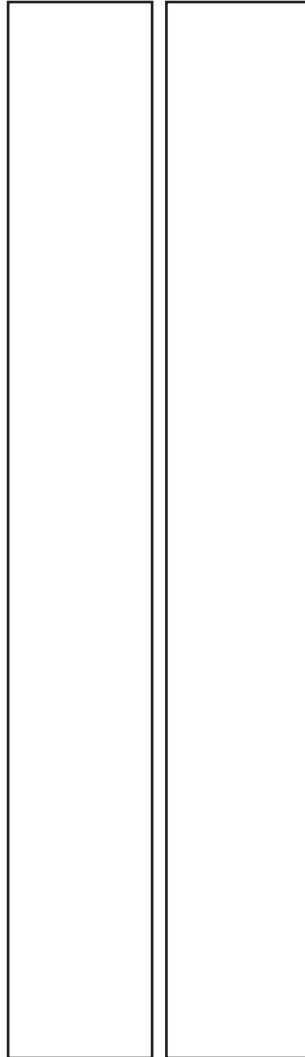
**Total Parts Needed:**  
**Wood Base 2.5" x 10.75"**  
**2 Large Craft Sticks**  
**1/4" Dowel - 5" long**  
**3/16" Dowel - 5" long**  
**2 - 1/2" x 3/4" x 5.5"**  
**1 - 1/2" x 3/4" x 7"**  
**1 - 1.25" Wooden Bowl**  
**2 - Rubberbands (#36?)**  
sandpaper, drill, gluegun,  
stain, 1/4" drill, 3.16" drill



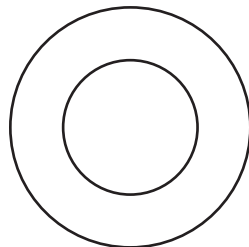
Large Craft Sticks



Dowels



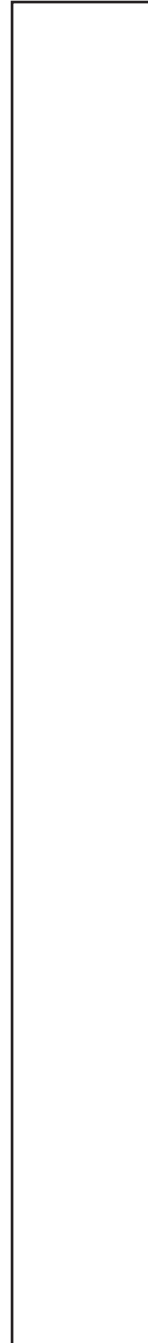
Sides



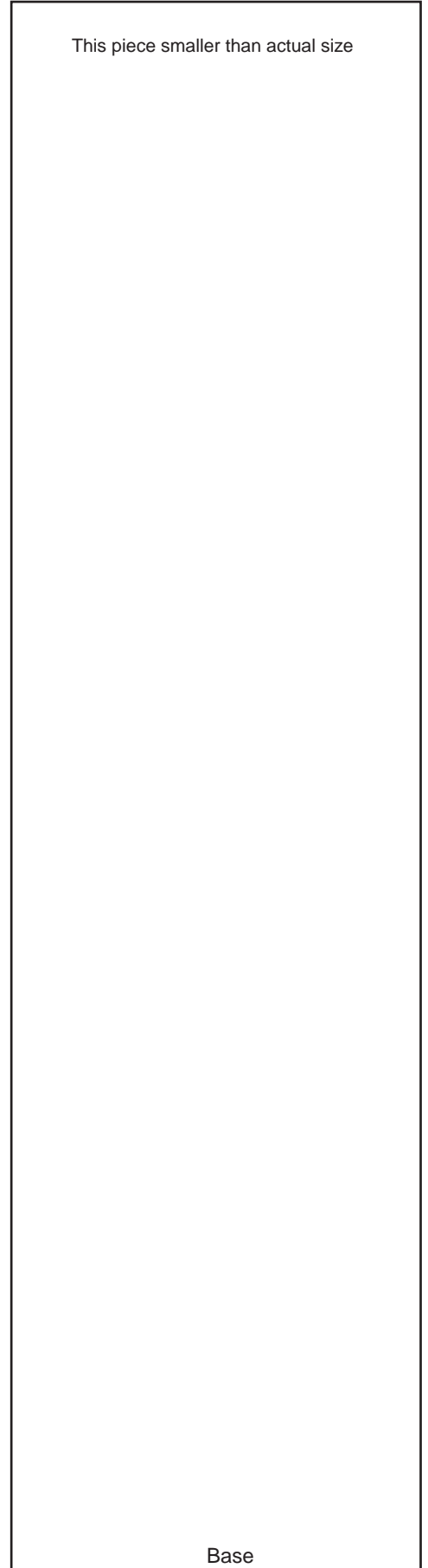
Wooden Bowl



#36 Rubberband



Arm



This piece smaller than actual size

Base

Plans Copyrighted 2001  
by Jim Szczodrowski

[www.2047.org](http://www.2047.org)  
[www.brigadenypa.com](http://www.brigadenypa.com)

[jim@2047.org](mailto:jim@2047.org)

# STOCKADE 2047 - Catapult Craft

sheet 2 of 3

© Jim Szczodrowski - PO Box 504 - Orchard Park, NY 14127 - 716-662-0335 - jim@2047.org - www.2047.org

## Step 1

Parts Needed  
All pieces & sandpaper  
**Sand all edges**

## Step 2

(needed - 2 - 1/2" x 3/4" x 5.5"  
1 - 1/2" x 3/4" x 7", drill, 1/4" & 3/16" bit)

**In the two 5.5" long pieces  
drill a 1/4" hole 1" from top  
the drill a 3/16" 1.5" from  
opposite end. Holes are  
drilled through the 3/4 side**

**In the 7" piece drill a 3/16"  
hole 3/8" from 1/2" side**

## Step 3

(needed - Bowl & Arm, hot gluegun)

**Glue Bowl approx. 1.25  
inches from top of opposite  
end of side with hole**

## Step 4

(needed - Dowels, Arm, Side Pieces)

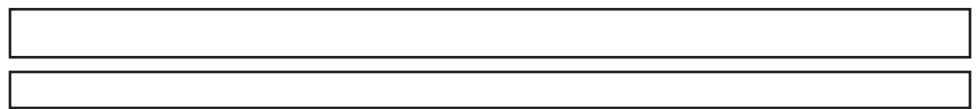
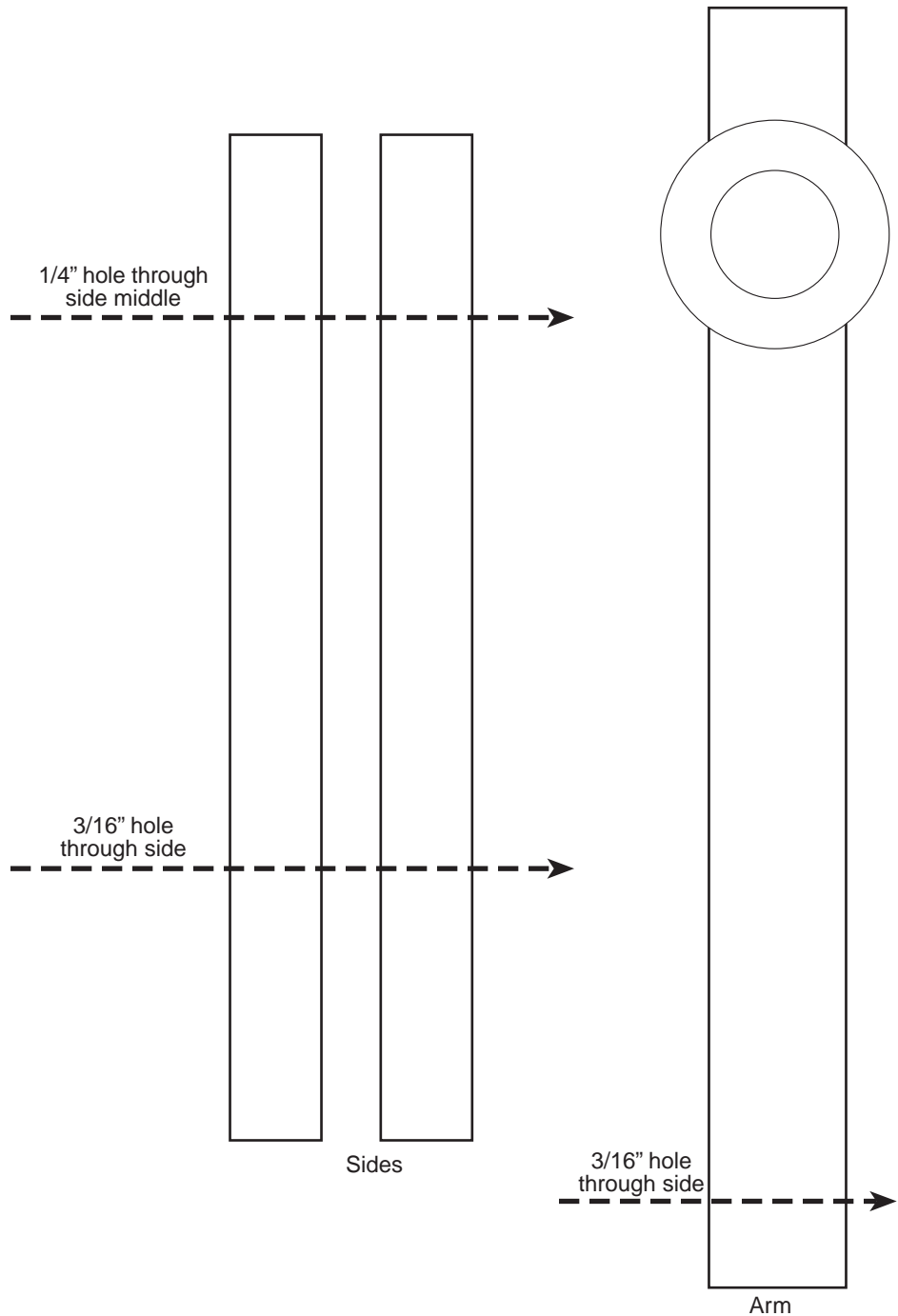
**Sand 3/16" dowel to move  
freely through 3/16" drilled  
holes**

**Sand 1/4" dowel to move with  
ease into 1/4" holes**

## Step 5

(needed - stain, all pieces except  
dowels & craft sticks)

**Stain/paint all the  
pieces except for dowels  
and craft sticks**



Dowels

Plans Copyrighted 2001  
by Jim Szczodrowski

www.2047.org  
www.brigadenypa.com

jim@2047.org

# STOCKADE 2047 - Catapult Craft

sheet 3 of 3

© Jim Szczodrowski - PO Box 504 - Orchard Park, NY 14127 - 716-662-0335 - jim@2047.org - www.2047.org

## Step 6

(needed -all parts, hot gluegun)

### Begin assembly

**Glue sides 3.25"**  
**from front of base -**

NOTE: 3/16" hole must  
be at the bottom.

HINT: to make sure holes line up  
after gluing - insert dowls into side  
prior to gluing - dowels  
ARE NOT glued.

## Step 7

**Glue Craft Sticks onto  
base and inside of arms.**

On base stock is glued  
3.25" from bottom and angled  
toward base rear and glued to  
base

## Step 8

### Attach Arm

Slide bottom dowel off and place  
arm in the middle of sides and  
reinsert the dowel attaching the  
arm to the structure.

## Step 9

### Attach Rubberband

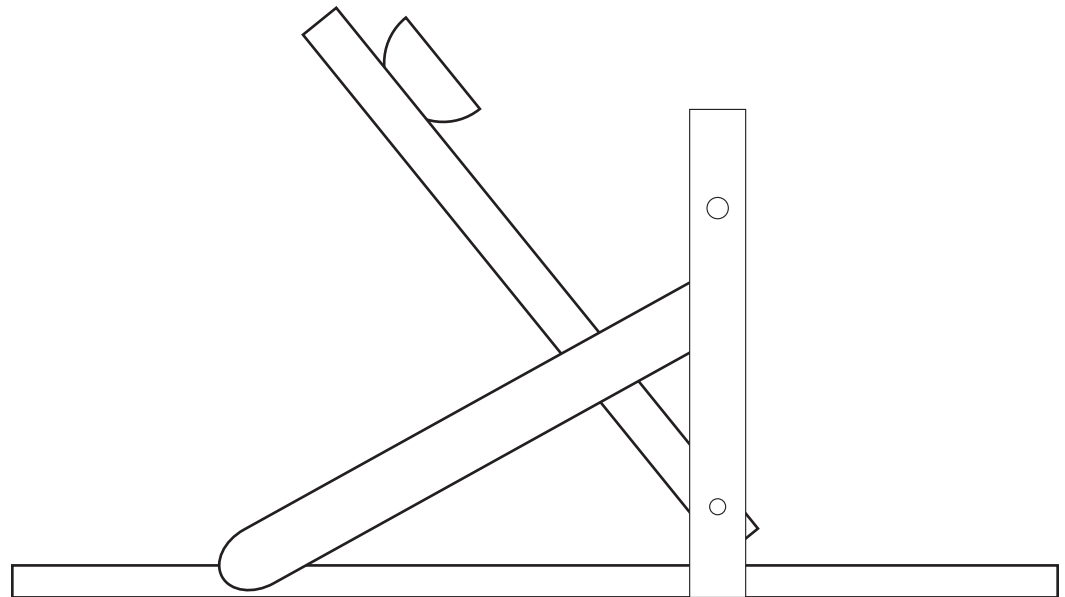
Loop rubberband on the 1/4"  
dowel and pull behind the arm  
and loop onto other side of dowel

## Step 10

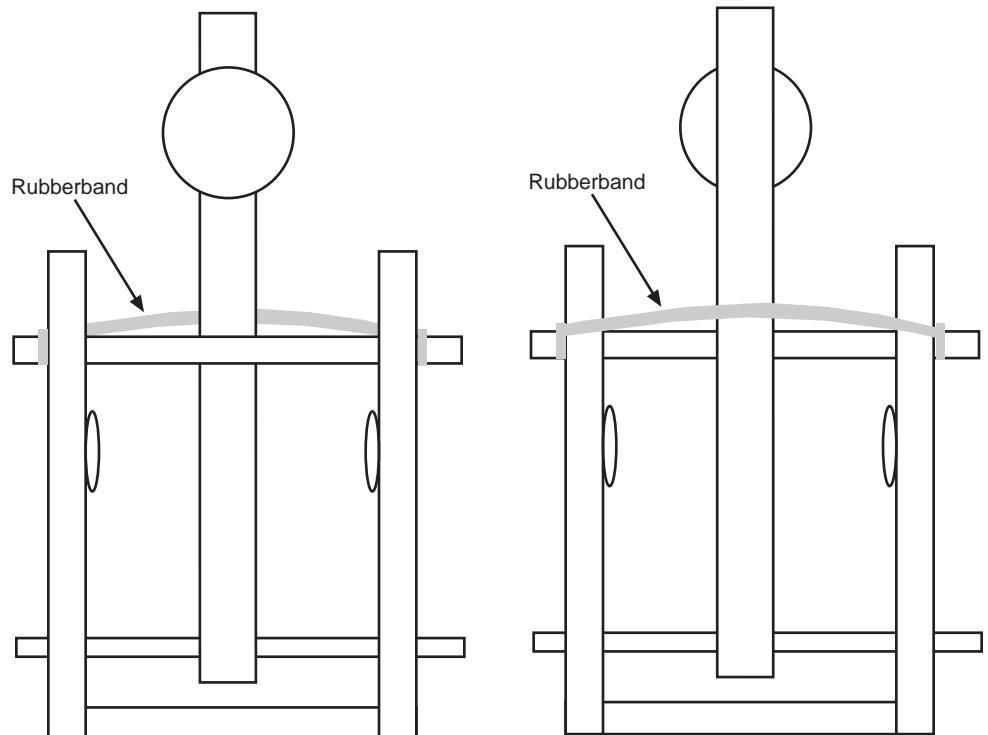
**You are ready to catapult  
objects**

Never shoot things at people,  
animals, TV's or sisters. It may  
sound like fun but the end result  
is never good. Don't do dumb  
things.

These drawings are smaller than actual size



Side View



Front View

Back View

Note: If either dowel breaks - you can slide it out and replace with a new one.

Plans Copyrighted 2001  
by Jim Szczodrowski

www.2047.org  
www.brigadenypa.com  
jim@2047.org